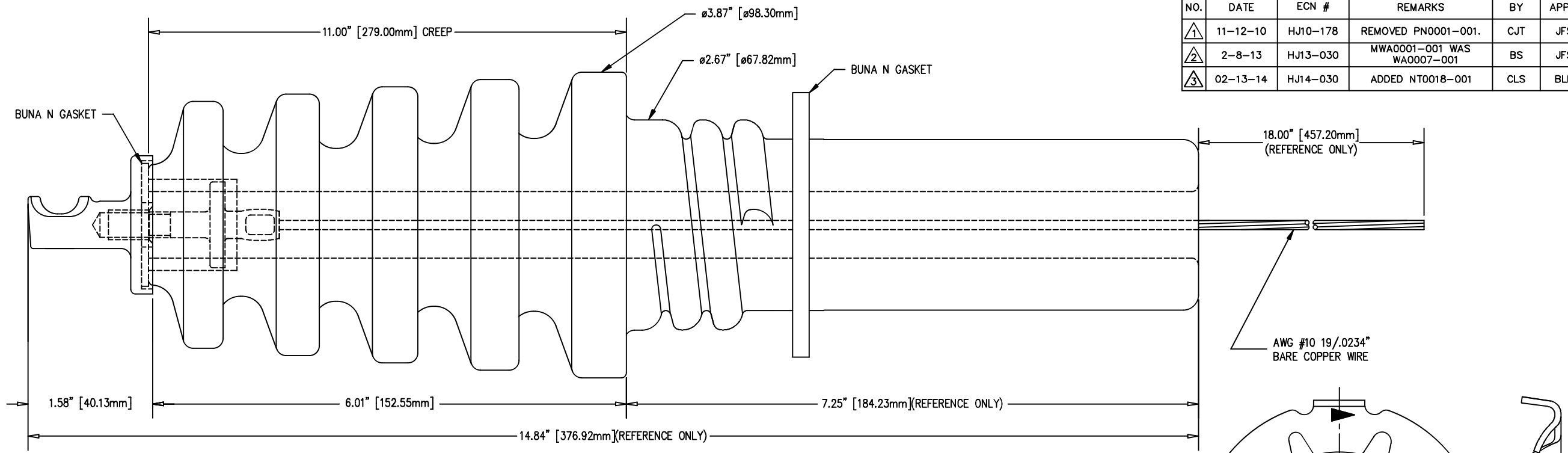
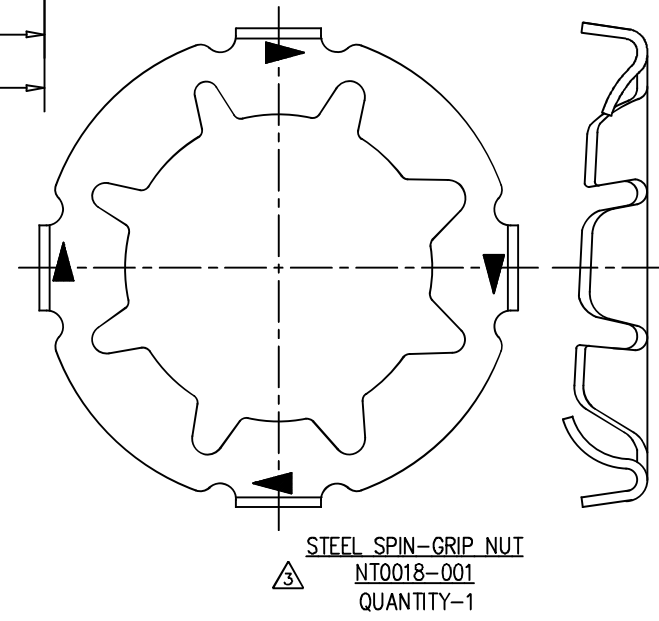
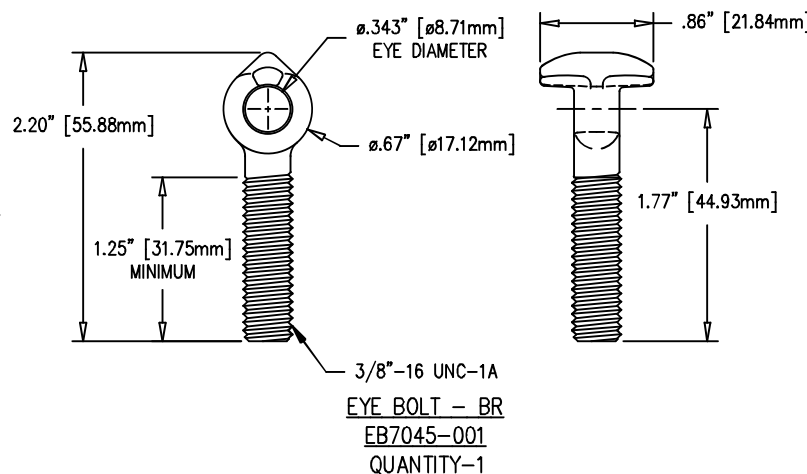
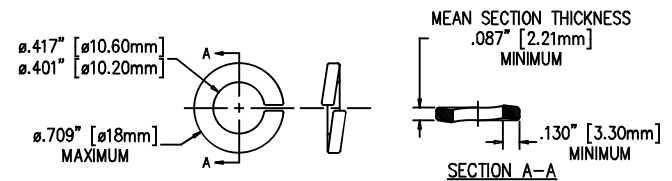
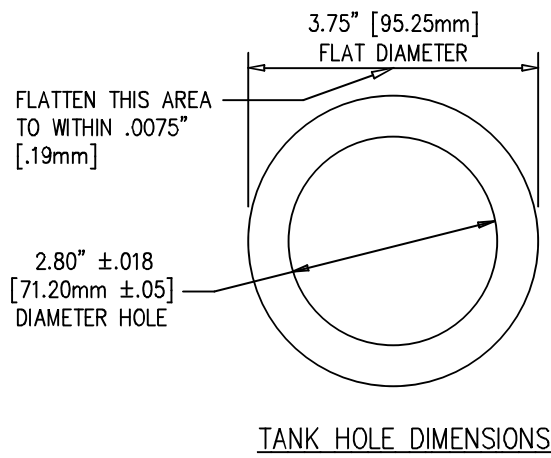


REVISIONS					
NO.	DATE	ECN #	REMARKS	BY	APPD.
1	11-12-10	HJ10-178	REMOVED PN0001-001.	CJT	JFS
2	2-8-13	HJ13-030	MWA0001-001 WAS WAO007-001	BS	JFS
3	02-13-14	HJ14-030	ADDED NT0018-001	CLS	BLB




HV BUSHING ASSEMBLY
 AS-1143-59-00
 QUANTITY-1



PORCELAIN NOTES:

1. GREY GLAZE MUNSELL 5BG 7.0/0.4
2. TOLERANCE ±3% WITH NOTHING LESS THAN ±.03"
3. WET PROCESS ELECTRICAL PORCELAIN.

TOLERANCES (EXCEPT AS NOTED)				H-J ENTERPRISES, INC. 3010 HIGH RIDGE BLVD. HIGH RIDGE, MO. 63049 USA PHONE 1-636-677-3421 FAX 1-636-376-1915	
DECIMAL	± .032" / .8mm				
FRACTIONAL	±	MATERIAL SEE DRAWING		15 KV H.V. BUSHING ASSEMBLY KIT	
ANGULAR	± 2'	CHK'D NK DATE 06-02-10	APP'D 02-13-14 SCALE N.T.S.	DRAWING NO. KT0118-001	
DRAWN BY SMM		DATE 06-02-10			